



# SPG Series

## SPG12-300W (12V80Ah)

SPG series VRLA battery uses AGM technology and high-purity raw materials. It has good high power discharge, floating backup and fast charging performance. It is mainly used in UPS/EPS standby power supply systems. It can backup power in poor operation environments.



### Benefits

- Long life according to EUROBAT Classification
- Maximum charge efficiency
- High gas recombination efficiency
- Low self-discharge rate

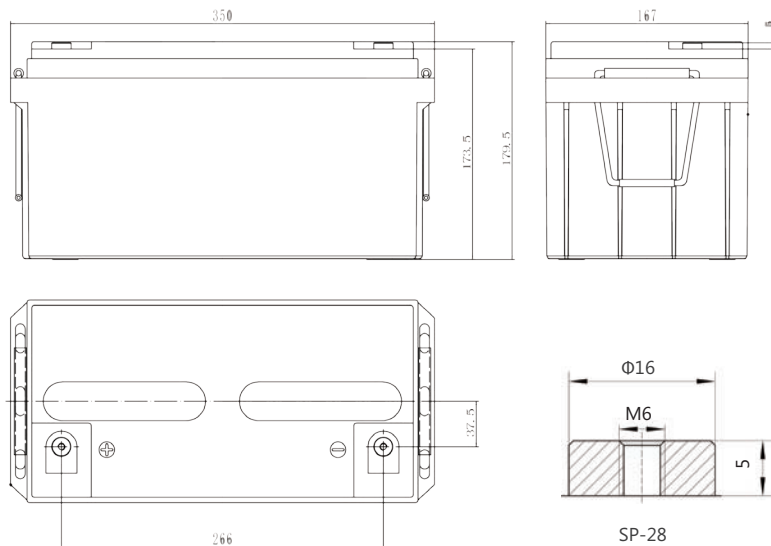
### Applications

- UPS units
- Data centre
- Starting generators
- EPS units

### Standards

- IEC 60896-21/22
- JIS C8704-1/2
- EUROBAT guide

### Drawing



### Specifications

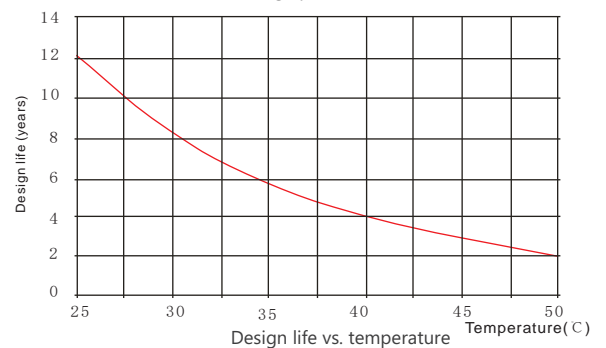
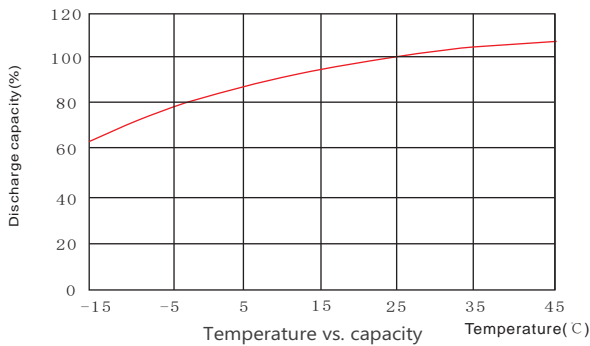
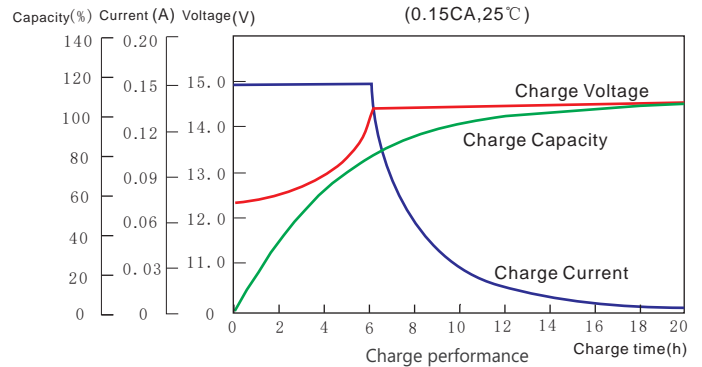
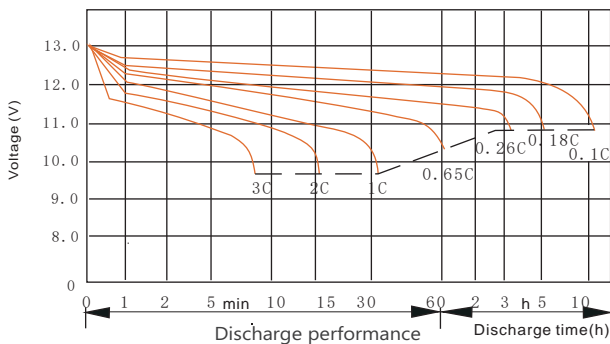
Battery Model	SPG12-300W			
Design Life (years, 25°C)	12			
Capacity (Ah, 25°C)	10min ( 1.60V)	15min ( 1.67V)	1HR (48A, 1.75V)	10HR 8.0A, 1.80V)
	360W/cell	300W/cell	48Ah	80Ah
Dimensions (mm)	Length	Width	Height	Total Height
	350	167	179.5	179.5
Approx. Weight (kg)	24.6			
Reference Internal Resistance (mΩ)	5.0 ( fully charged @ 25°C)			
Maximum Discharge Current (A/5 Sec.)	960			
Self-Discharge (25°C)	≤ 2% per months			
Charge Voltage (V/cell, 25°C)	Cycle use		Float use	
	2.40(-3.5mV/°C/cell), max charge current: 24A		2.27(-3.5mV/°C/cell)	
Short Circuit Current (A)	2400			

## Discharge Data

Constant Current Discharge Data (25°C, A)													
End Voltage (V/cell)	min						h						
	10	15	20	25	30	45	1	1.5	2	3	5	6	10
1.60	207	166	138	118	95.0	69.9	55.2	41.9	33.8	23.8	15.4	13.2	8.80
1.65	197	160	132	113	92.2	68.2	53.4	40.7	32.9	23.0	14.9	12.9	8.56
1.67	189	153	127	109	88.4	65.8	51.9	40.0	32.3	22.7	14.8	12.7	8.48
1.70	178	143	120	104	85.0	63.5	49.8	39.2	31.8	22.3	14.5	12.5	8.32
1.75	167	133	111	96	79.5	60.0	48.0	38.1	30.9	21.7	14.2	12.3	8.16
1.80	154	122	105	91	75.3	55.5	45.6	36.6	29.8	21.0	13.9	12.0	8.00

Constant Power Discharge Data (25°C, W/cell)													
End Voltage (V/cell)	min						h						
	10	15	20	25	30	45	1	1.5	2	3	5	6	10
1.60	360	315	274	226	198	149	111	89.5	68.2	51.0	32.3	27.4	18.1
1.65	350	306	265	219	191	145	107	87.0	66.3	49.7	31.4	27.0	17.9
1.67	343	300	260	214	186	142	105	84.8	64.6	48.7	30.6	26.6	17.8
1.70	336	296	254	210	180	140	103	83.3	63.5	48.0	30.2	26.2	17.5
1.75	326	284	244	203	175	136	100	81.4	62.2	46.5	29.5	25.7	17.3
1.80	313	273	236	195	167	130	96	78.4	60.1	45.1	28.7	25.1	16.9

## Performance Curve



Disclaimer: The manufacturer reserves the right to amend and/or vary the specifications and parameters of the product and apply updates accordingly at any time. It is the sole responsibility of the buyer and user of the product to ensure all applicable product specifications referred to are valid, applicable and up to date at all times. All product specifications are available upon written request to Alpha House Ltd. All batteries must be installed, used and maintained at all times in accordance with standard BS EN IEC 62485-2:2018, and specifically installed, used and maintained at all times in accordance with manufacturer's guidelines and product specification documentation. (All top terminal, front terminal and top vented batteries must be positioned horizontally, plumb and level at all times unless specified otherwise by the manufacturer. Further details are available upon written request to Alpha House Ltd.)