



# SAJ Series

## SAJ12-65 (12V65Ah)

The SAJ series batteries utilise a combination of AGM and gel technologies, offering excellent cycle life and high current discharge performance. These cost-effective batteries are versatile and can be widely used in various applications, including photovoltaic systems, lighting, power supplies, and control systems.



### Benefits

- General Purpose according to EUROBAT Classification
- Special AGM separator, adding gel electrolyte, shallow cycle life is long
- Maximum charge efficiency
- High gas recombination efficiency
- Low self-discharge rate
- Easy installation and handling

### Applications

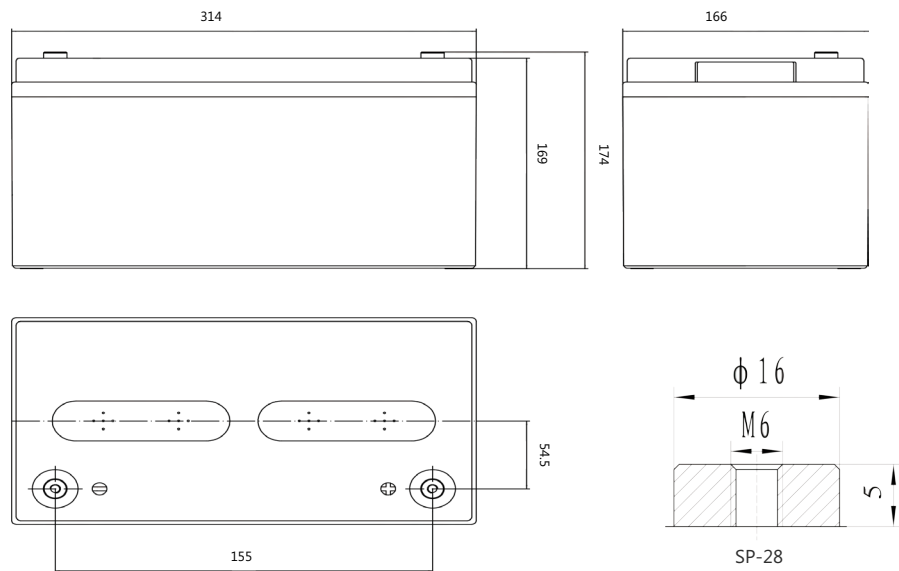
- Solar (Wind) energy system
- Solar communication/station
- Mobile storage system

### Standards

- IEC 60896-21/22
- DIN 43539-T5
- EUROBAT guide

### Specifications

#### Drawing



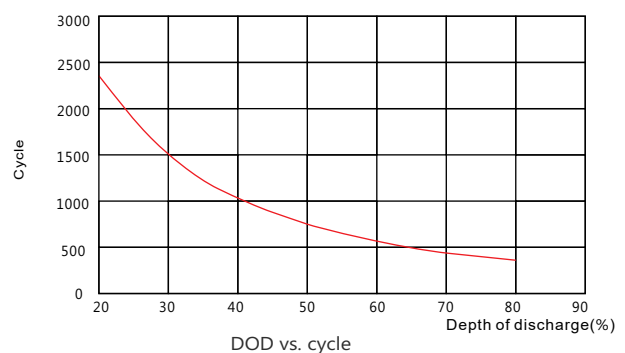
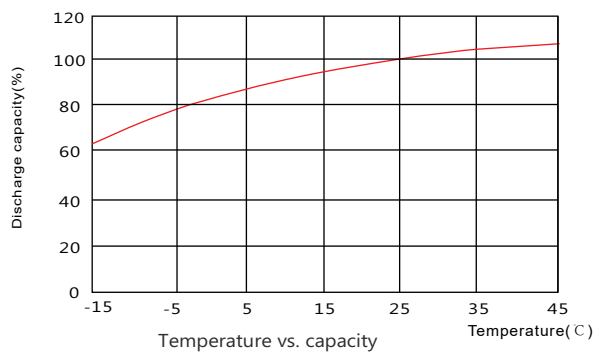
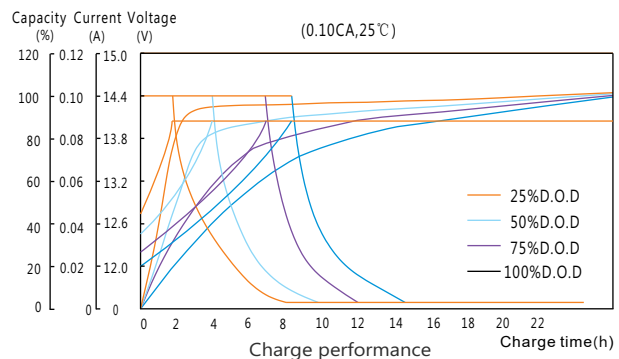
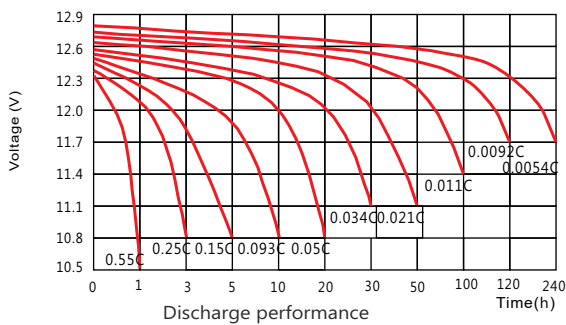
Battery Model	SAJ12-65			
Design Life (years, 25°C)	10			
Capacity (Ah, 25°C)	10HR (3.25A, 1.80V)	5HR (10.95A, 1.80V)	3HR (15.93A, 1.80V)	1HR (35.23A, 1.75V)
	65	54.75	47.79	35.23
Dimensions (mm)	Length	Width	Height	Total Height
	314	166	169	174
Approx. Weight (kg)	20.0			
Reference Internal Resistance (mΩ)	6.4 ( fully charged @ 25°C)			
Maximum Discharge Current (A/5 Sec.)	780			
Self-Discharge (25°C)	≤ 1.5% per months			
Charge Voltage (V/cell, 25°C)	Cycle use		Float use	
	2.40(-3.5mV/°C/cell), max charge current: 13A		2.27(-3.5mV/°C/cell)	
Short Circuit Current (A)	1850			

## Discharge Data

Constant Current Discharge Data (25°C, A)									
End Voltage (V/cell)	h								
	1	3	5	10	20	50	100	120	240
1.70	36.21	16.77	11.51	6.730	3.420	1.443	0.754	0.637	0.338
1.75	35.23	16.45	11.28	6.630	3.350	1.417	0.741	0.628	0.332
1.80	34.13	15.93	10.95	6.500	3.270	1.385	0.728	0.618	0.325
1.85	32.83	15.34	10.56	6.340	3.190	1.346	0.709	0.602	0.319
1.90	31.20	14.63	10.11	6.120	3.080	1.300	0.689	0.585	0.312

Constant Power Discharge Data (25°C, W/cell)									
End Voltage (V/cell)	h								
	1	3	5	10	20	50	100	120	240
1.70	65.50	29.80	20.95	12.31	6.370	3.200	1.700	1.430	0.730
1.75	63.50	29.69	20.44	12.10	6.270	3.150	1.680	1.420	0.720
1.80	61.62	29.35	19.92	11.88	6.180	3.100	1.650	1.410	0.710
1.85	59.75	29.01	19.43	11.58	6.020	3.050	1.620	1.400	0.710
1.90	57.95	28.78	18.94	11.36	5.880	3.000	1.590	1.380	0.700

## Performance Curve



Disclaimer: The manufacturer reserves the right to amend and/or vary the specifications and parameters of the product and apply updates accordingly at any time. It is the sole responsibility of the buyer and user of the product to ensure all applicable product specifications referred to are valid, applicable and up to date at all times. All product specifications are available upon written request to Alpha House Ltd. All batteries must be installed, used and maintained at all times in accordance with standard BS EN IEC 62485-2:2018, and specifically installed, used and maintained at all times in accordance with manufacturer's guidelines and product specification documentation. (All top terminal, front terminal and top vented batteries must be positioned horizontally, plumb and level at all times unless specified otherwise by the manufacturer. Further details are available upon written request to Alpha House Ltd.)