



GFMG Series

3GFMG-105 (6V105Ah)



GFMG VRLA are a large capacity high power battery that uses AGM technology. It has a wide & low structure design with low level of electrolyte stratification. GFMG has an excellent high current and high power discharge performance. It is suitable for floating and cyclic applications.

Benefits

- Long life according to EUROBAT Classification
- High discharge performance
- 99%+ gas recombination efficiency
- Maximum charge efficiency
- Low self-discharge rate
- Easy installation and handling

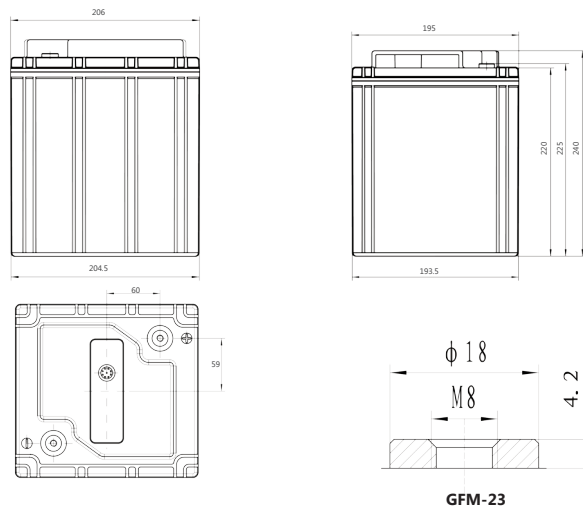
Applications

- Telecommunications
- Emergency power
- UPS units
- Electrical Power plants and substation
- Transportation

Standards

- IEC 60896-21/22
- BS 6290-4
- EUROBAT guide

Drawing



Specifications

Battery Model	3GFMG-105			
Design Life (years, 25°C)	12			
Capacity (Ah, 25°C)	10HR (10.5A, 1.80V)	5HR (17.13A, 1.80V)	3HR (28.2A, 1.80V)	1HR(71A, 1.75V)
	105	85.65	84.6	71
Dimensions (mm)	Length	Width	Height	Total Height
	195	206	220	240
Approx. Weight (kg)	22.4			
Reference Internal Resistance (mΩ)	2.62 (full charged @ 25°C)			
Maximum Discharge Current (A/5 Sec.)	945			
Self-Discharge (25°C)	≤ 1% per month			
Charge Voltage (V/cell, 25°C)	Cycle use		Float use	
	2.35 (-3.5mV/°C/cell), max charge current: 21A		2.25 (-3.5mV/°C/cell)	
Short Circuit Current (A)	2400			

