



ALPHA HOUSE

intelligent power

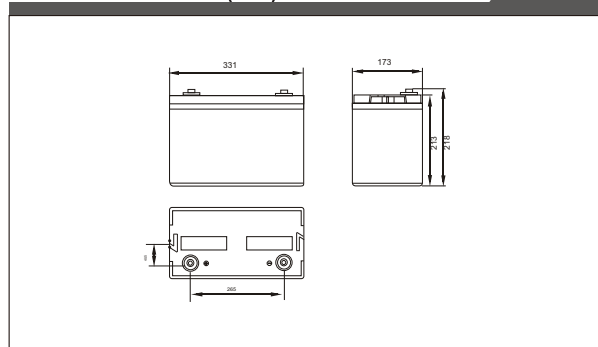
AH12-100C

(12V-100Ah)

Deep Cycle



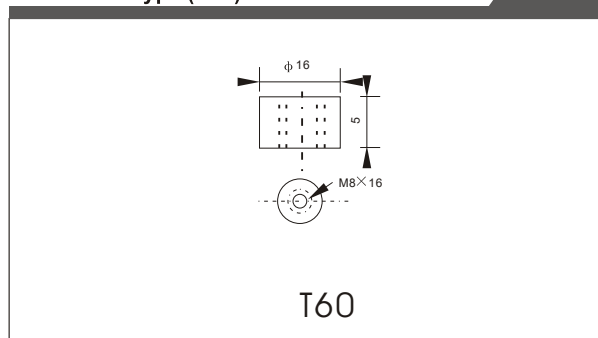
Outer Dimensions (mm)



Specifications

Nominal Voltage		12 V
Rated capacity (10 hour rate)		100 Ah
Dimensions	Total Height	218 mm (8.58 inches)
	Height	213 mm (8.39 inches)
	Length	331 mm (13.0 inches)
	Width	173 mm (6.81 inches)
Weight Approx		30.5 Kg (67.41 lbs)
Terminal		T60
Terminal Torque		16 Nm

Terminal Type (mm)



Characteristics

Capacity 25°C(77°F)	10 hour rate(10.0 A)	100 AH
	5 hour rate(16.0 A)	80 AH
	1 hour rate(60.0 A)	60 AH
Internal Resistance	Full charged Battery at 25°C(77°F)	4.2 mΩ
Capacity affected by Temperature (20hour rate)	40°C(104°F)	102%
	25°C(77°F)	100%
	0°C(32°F)	85%
	-15°C(5°F)	65%
Self-Discharge at 25 °C(77 °F)	Capacity after 3 month storage	91%
	Capacity after 6 month storage	82%
	Capacity after 12 month storage	64%
Charge (constant Voltage)	Cycle	Initial Charging Current less than 25 A. Voltage 14.10-14.40V
	Float	Voltage 13.50-13.80V
Design Life		12 Years (float charging)

Construction

Component	Positive plate	Negative plate	Container	Over
Raw material	Lead dioxide	Lead	ABS (V0/HB)	ABS (V0/HB)
Component	Separator	Electrolyte	Safety valve	Terminal
Raw material	AGM	Sulfuric acid	Rubber	Cu coated by Ag

High Sn positive plate,

Product Compliance

IEC: 60896-21/22:2004;
GB/T: 19639-2014;
JIS: CB704-1:2006;

UL: MH26669;
BS: 6290 part 4;
EUROBAT; CE

Manufacturer's Certificates

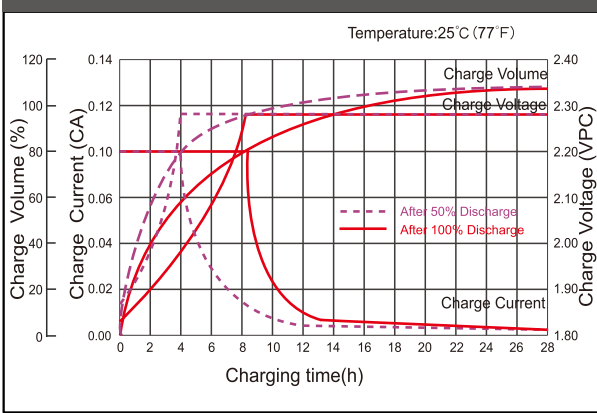
ISO: 9001:2005
ISO: 14001:2015
OHSAS: 18001:2007

Constant Current(Amp) and Constant Power(Watt) Discharge Table at 25 °C(72°F)

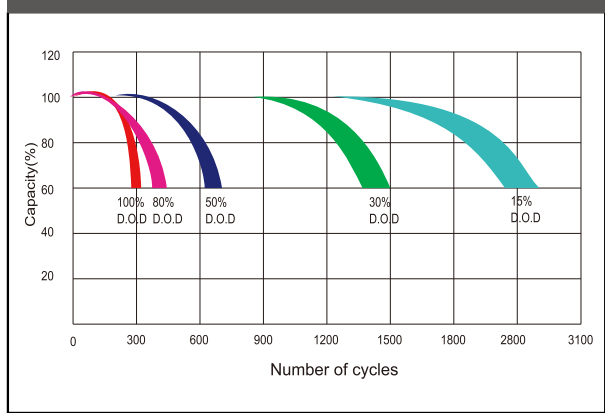
Time		10min	30min	1h	2h	3h	4h	5h	8h	10h	20h
9.60V	A	200.0	110.0	60.0	35.0	26.0	21.0	17.8	11.6	11.0	5.7
	W	2120	1172	642	378	283	231	195.8	128.6	122.1	63.8
10.20V	A	190.0	111.0	56.4	33.4	25.5	20.5	17.4	11.4	10.4	5.6
	W	2090	1227	626	374	288	233	197	129	117	64
10.50V	A	180.0	102.0	55.0	32.6	25.0	20.0	17.0	11.3	10.2	5.5
	W	2016	1148	622	372	286	230	196	129	117	64
10.80V	A	170.0	94.0	53.0	31.8	24.5	19.5	15.2	11.0	10.0	5.5
	W	1930	1072	607	367	284	227	177	128	117	64
11.10V	A	160.0	84.0	50.0	31.0	23.5	19.0	14.5	10.7	9.8	5.4
	W	1840	970	580	363	276	224	171	126	115	64



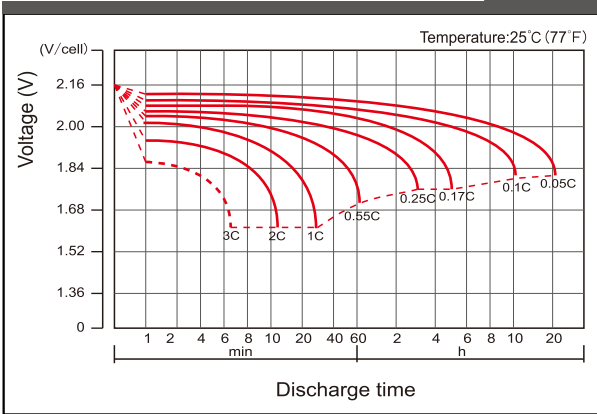
● **Charging Characteristics(25°C)**



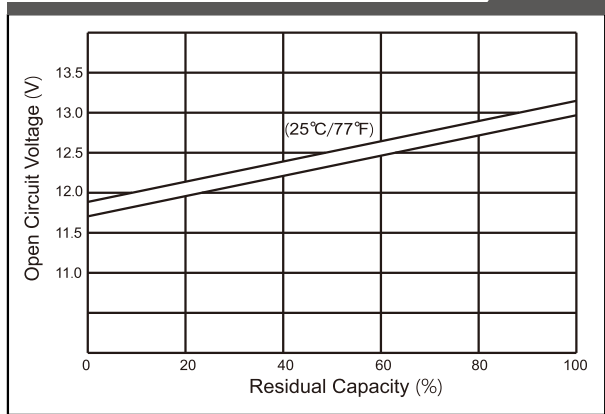
● **Cycle Life In Relation To Depth Of Discharge**



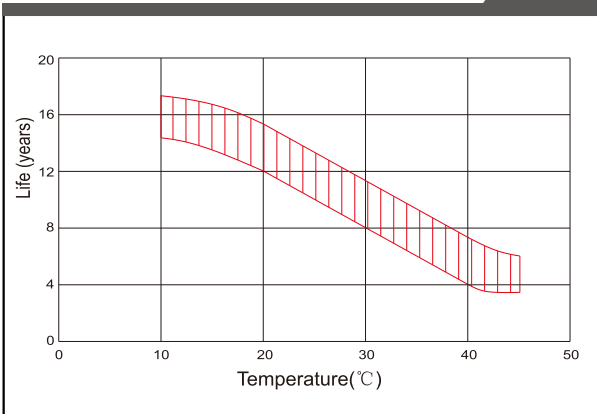
● **Discharge Characteristics Curve**



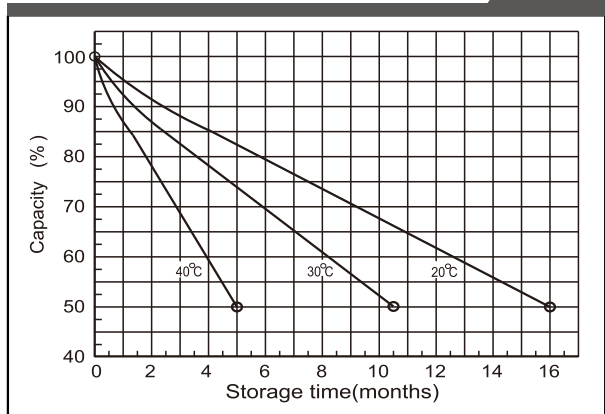
● **The Relationship of OCV and Capacity (25°C)**



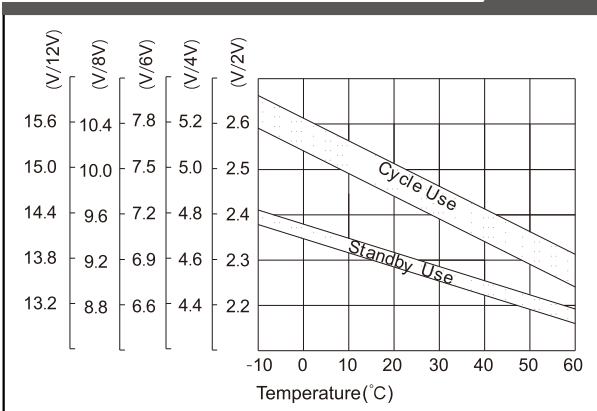
● **Floating Life On Temperature**



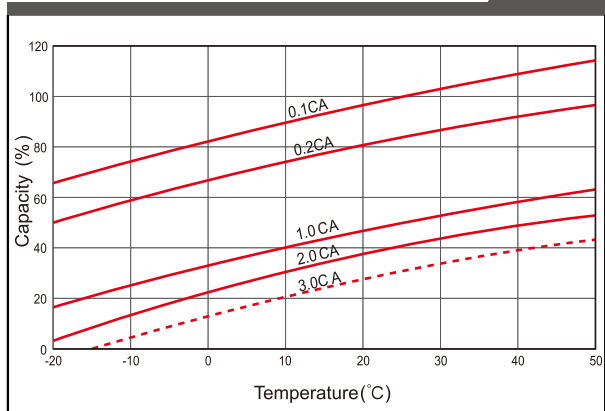
● **Self-Discharge Characteristics**



● **Charging Voltage VS Temperature**



● **Temperature Effects On Capacity**



Disclaimer: The manufacturer reserves the right to amend and/or vary the specifications and parameters of the product and apply updates accordingly at any time. It is the sole responsibility of the buyer and user of the product to ensure all applicable product specifications referred to are valid and up to date. All product specifications are available upon request. Batteries must be installed in accordance with standard BS EN IEC 62485-2:2018, and in accordance with manufacturer's guidelines. (available upon request)

