



ALPHA HOUSE

intelligent power

AH12-33 (12V33AH)



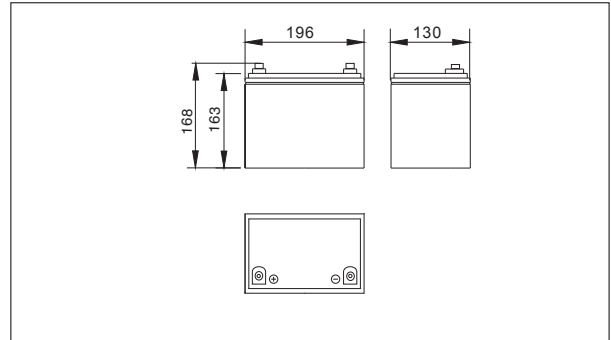
Specifications

Nominal Voltage		12V
Rated capacity (10 hour rate)		33 Ah
Dimensions	Total Height	168 mm (6.61 inches)
	Height	163 mm (6.42 inches)
	Length	196 mm (7.70 inches)
	Width	130 mm (5.12 inches)
Weight Approx		9.6Kg (21.22lbs)

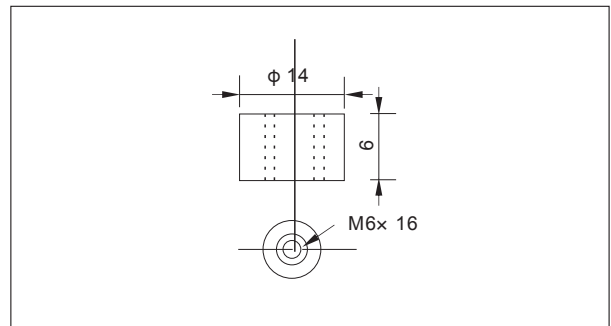
Characteristics

Design Life	EUROBAT Long Life 10/12 years	
Certification	ISO9001, ISO14001, OHSAS18001, UL, CE, IEC60896-21/22	
Capacity 25°C(77°F)	10 hour rate(3.0 A)	33.0 AH
	5 hour rate(4.8 A)	26.5 AH
	1 hour rate(18.0 A)	19.8 AH
	1.5 hour discharge to 10.5V	13.2 A
Internal Resistance	Full charged Battery at 25°C(77°F) 10.5 mΩ	
Capacity affected by Temperature (10hour rate)	40°C(104°F)	102%
	25°C(77°F)	100%
	0°C(32°F)	85%
	-15°C(5°F)	65%
Self-Discharge at 25°C(77°F)	Capacity after 3 month storage	91%
	Capacity after 6 month storage	82%
	Capacity after 12 month storage	64%
Terminal		T9、T16
Charge (constant Voltage)	Cycle	Initial Charging Current less than 13.2 A Voltage 14.10-14.40V
	Float	Voltage 13.50-13.80V

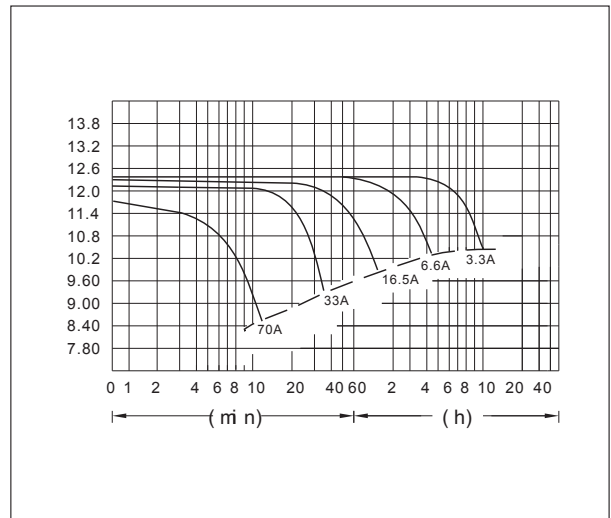
Outer dimensions (mm)



Terminal Type (mm)



Discharge Curves 25°C(77°F)



Constant Current(Amp) and Constant Power(Watt) Discharge Table at 25 (72)

Time		10min	30min	1h	2h	3h	4h	5h	8h	10h	20h
		9.60V	A	66.0	36.3	198	11.6	8.6	6.9	5.9	3.8
	W	700	387	212	125	94	76	64.6	42.4	40.3	21.1
10.20V	A	62.7	36.6	186	11.0	8.4	6.8	5.7	3.8	3.4	1.8
	W	690	405	207	123	95	77	65	43	39	21
10.50V	A	59.4	33.7	182	10.8	8.3	6.6	5.6	3.7	3.4	1.8
	W	665	379	205	123	94	76	65	43	39	21
10.80V	A	56.1	31.0	175	10.5	8.1	6.4	5.0	3.6	3.3	1.8
	W	637	354	200	121	94	75	58	42	38	21
11.10V	A	52.8	27.7	165	10.2	7.8	6.3	4.8	3.5	3.2	1.8
	W	607	320	191	120	91	74	56	42	38	21