



# ALPHA HOUSE

intelligent power

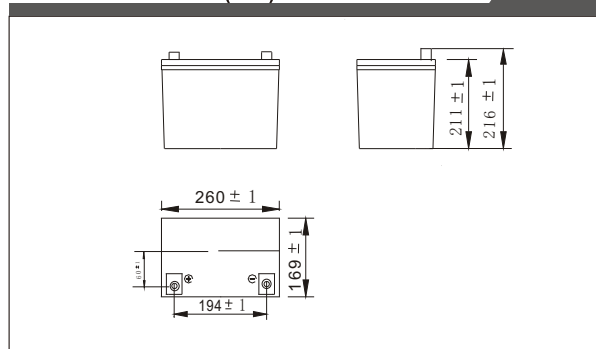
## AG12-80

(12V-80Ah)

AGM+GEL



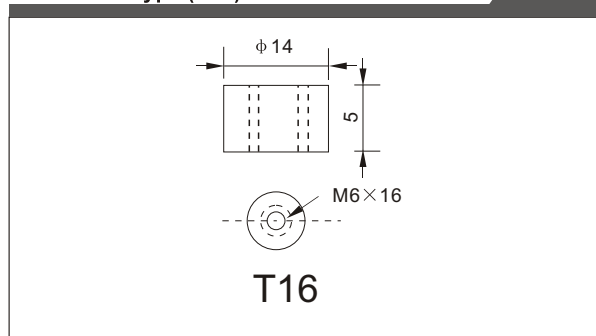
### Outer Dimensions (mm)



### Specifications

Nominal Voltage	12V	
Rated capacity (10 hour rate)	80 Ah	
Dimensions	Total Height	216 mm (8.50 inches)
	Height	211 mm (8.30 inches)
	Length	260 mm (10.2 inches)
	Width	169 mm (6.65 inches)
Approx. Weight	23Kg (50.8lbs)	
Terminal	T16	
Terminal Torque	12 Nm	

### Terminal Type (mm)



### Characteristics

Capacity 25°C(77°F)	10 hour rate (8.0 A)	80 AH
	5 hour rate (12.8 A)	64 AH
	1 hour rate (48 A)	48 AH
Internal Resistance	Full charged Battery at 25°C(77°F)	Approx 5.5 mΩ
Capacity affected by Temperature (20hour rate)	40°C(104°F)	102%
	25°C(77°F)	100%
	0°C(32°F)	85%
	-15°C(5°F)	65%
Self-Discharge at 25°C(77°F)	Capacity after 3 month storage	91%
	Capacity after 6 month storage	82%
	Capacity after 12 month storage	64%
Charge (constant Voltage)	Cycle	Initial Charging Current less than 20 A. Voltage 14.10-14.40V
	Float	Voltage 13.50-13.80V
Design Life		12 Years (float charging)

### Construction

Component	Positive plate	Negative plate	Container	Cover
Raw material	Lead dioxide	Lead	ABS (V0/HB)	ABS (V0/HB)
Component	Separator	Electrolyte	Safety valve	Terminal
Raw material	AGM	SiO2 Gel	Rubber	Cu coated by Ag

High Sn positive plate, SiO2 Gel electrolyte.

### Product Compliance

IEC: 60896-21/22:2004;      UL: MH26669;  
 GB/T: 19639-2014;      BS: 6290 part 4;  
 JIS: CB704-1:2006;      EUROBAT; CE

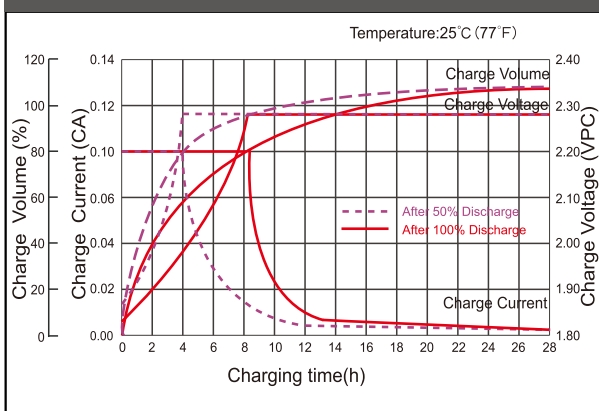
### Manufacturer's Certificates

ISO: 9001:2005  
 ISO: 14001:2015  
 OHSAS: 18001:2007

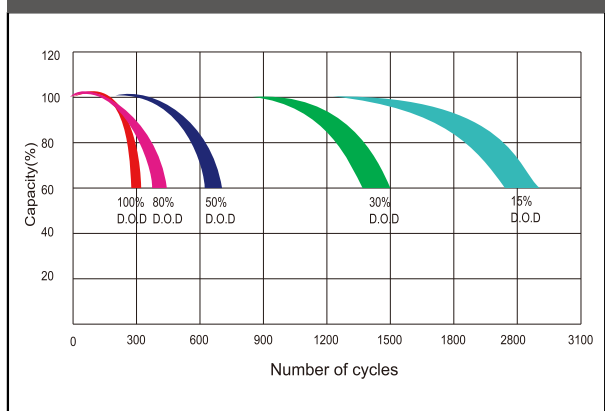
Constant Current(Amp) and Constant Power(Watt) Discharge Table at 25°C(77°F)

Time		5min	10min	15min	30min	1h	2h	3h	4h	5h	8h	10h	20h
9.60V	A	256	169	136	91.2	48.0	28.0	20.6	16.0	13.2	9.36	8.40	4.54
	W	2644	1803	1459	981	518	307	229	180	150	107	97	52.7
10.20V	A	248	152	128	87.2	45.1	26.7	20.0	15.6	13.0	9.12	8.24	4.40
	W	2650	1701	1434	979	510	308	232	181	151	107	97	51.6
10.50V	A	240	136	112	81.6	43.7	26.1	19.5	15.4	12.8	9.04	8.08	4.40
	W	2622	1550	1279	939	506	302	227	180	150	106	96	52.0
10.80V	A	231	128	104	75.2	42.2	25.4	19.0	15.1	12.5	8.80	8.00	4.32
	W	2596	1481	1200	871	492	298	224	179	148	104	95	51.5
11.10V	A	224	120	96	67.2	40.8	24.8	18.4	14.7	12.2	8.56	7.60	4.08
	W	2536	1393	1119	786	480	293	219	175	145	103	91.7	49.4

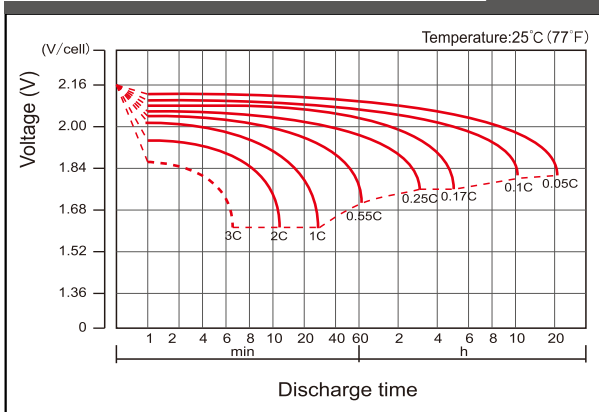
**● Charging Characteristics(25°C)**



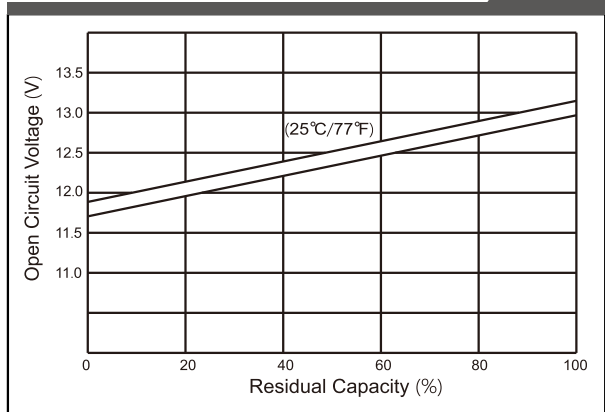
**● Cycle Life In Relation To Depth Of Discharge**



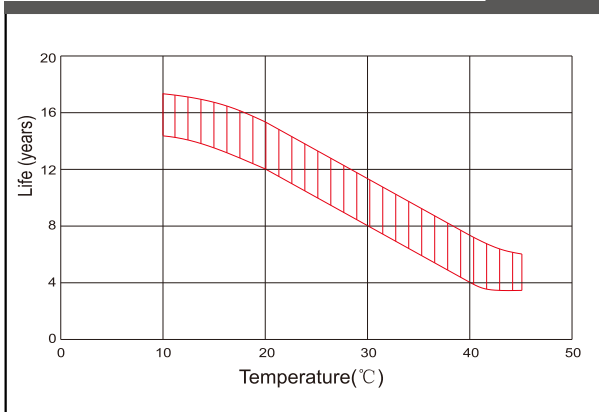
**● Discharge Characteristics Curve**



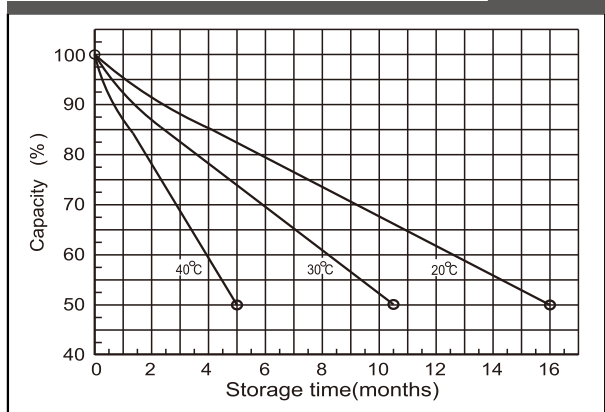
**● The Relationship of OCV and Capacity (25°C)**



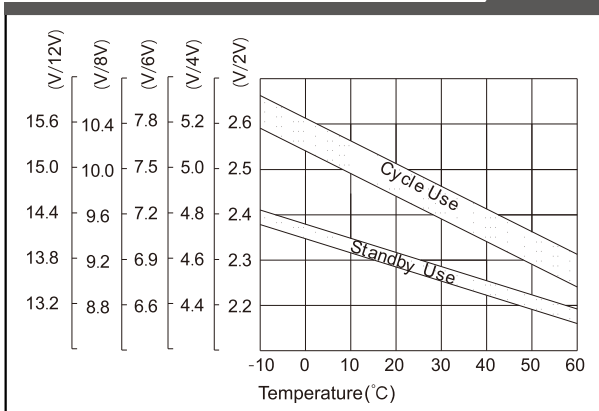
**● Floating Life On Temperature**



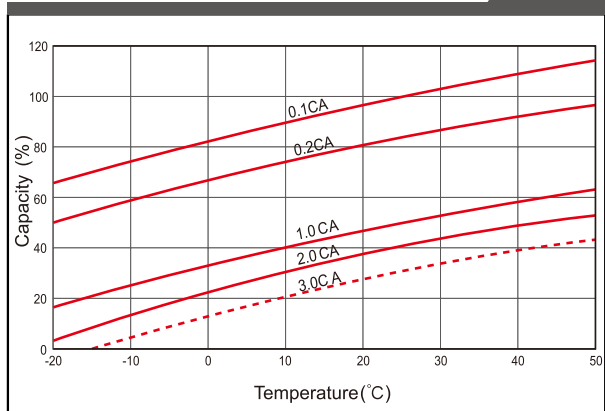
**● Self-Discharge Characteristics**



**● Charging Voltage VS Temperature**



**● Temperature Effects On Capacity**



Disclaimer: The manufacturer reserves the right to amend and/or vary the specifications and parameters of the product and apply updates accordingly at any time. It is the sole responsibility of the buyer and user of the product to ensure all applicable product specifications referred to are valid and up to date. All product specifications are available upon request. Batteries must be installed in accordance with standard BS EN IEC 62485-2:2018, and in accordance with manufacturer's guidelines. (available upon request)