



ALPHA HOUSE

intelligent power

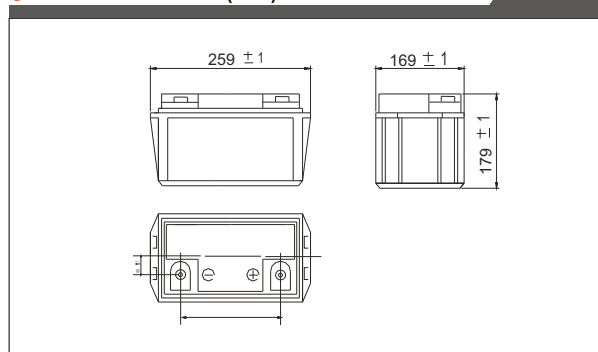
AG12-60

(12V-60Ah)

AGM+GEL



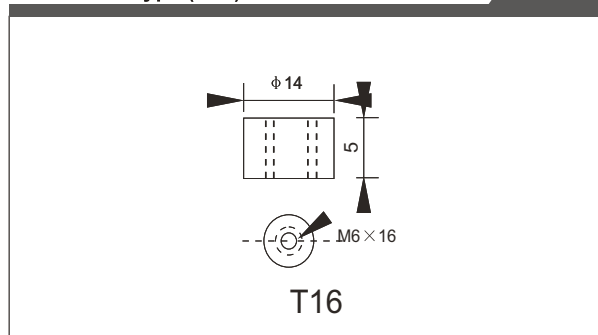
Outer Dimensions (mm)



Specifications

Nominal Voltage	12V	
Rated capacity (10 hour rate)	60 Ah	
Dimensions	Total Height	179 mm (7.05 inches)
	Height	179 mm (7.05 inches)
	Length	259 mm (10.2 inches)
	Width	169mm (6.65 inches)
Approx. Weight	18.2 Kg (40.2 lbs)	
Terminal	T16	
Terminal Torque	12 Nm	

Terminal Type (mm)



Characteristics

Capacity 25°C (77°F)	10 hour rate(6.0 A)	60 AH
	5 hour rate(9.6 A)	48 AH
	1 hour rate(36 A)	36 AH
Internal Resistance	Full charged Battery at 25°C(77°F)	Approx 7 mΩ
Capacity affected by Temperature (20hour rate)	40°C(104°F)	102%
	25°C(77°F)	100%
	0°C(32°F)	85%
	-15°C(5°F)	65%
Self-Discharge at 25°C(77°F)	Capacity after 3 month storage	91%
	Capacity after 6 month storage	82%
	Capacity after 12 month storage	64%
Charge (constant Voltage)	Cycle	Initial Charging Current less than 15 A. Voltage 14.10-14.40V
	Float	Voltage 13.50-13.80V
Design Life		12 Years (float charging)

Construction

Component	Positive plate	Negative plate	Container	Cover
Raw material	Lead dioxide	Lead	ABS (V0/HB)	ABS (V0/HB)
Component	Separator	Electrolyte	Safety valve	Terminal
Raw material	AGM	SiO2 Gel	Rubber	Cu coated by Ag

High Sn positive plate, SiO2 Gel electrolyte.

Product Compliance

IEC: 60896-21/22:2004; UL: MH26669;
 GB/T: 19639-2014; BS: 6290 part 4;
 JIS: CB704-1:2006; EUROBAT; CE

Manufacturer's Certificates

ISO: 9001:2005
 ISO: 14001:2015
 OHSAS: 18001:2007

Constant Current(Amp) and Constant Power(Watt) Discharge Table at 25°C(77°F)

Time		5min	10min	15min	30min	1h	2h	3h	4h	5h	8h	10h	20h
9.60V	A	192	127	102	68	36	21	15	12	10	7	6	3
	W	1983	1352	1094	735	389	231	172	135	113	80	73	40
10.20V	A	186	114	96	65	34	20	15	12	10	7	6	3
	W	1988	1276	1076	734	383	231	174	136	113	80	73	39
10.50V	A	180	102	84	61	33	20	15	12	10	7	6	3
	W	1966	1162	959	704	379	227	171	135	113	80	72	39
10.80V	A	174	96	78	56	32	19	14	11	9	7	6	3
	W	1947	1111	900	653	369	223	168	134	111	78	71	39
11.10V	A	168	90	72	50	31	19	14	11	9	6	6	3
	W	1902	1045	839	590	360	220	164	131	109	77	69	37

